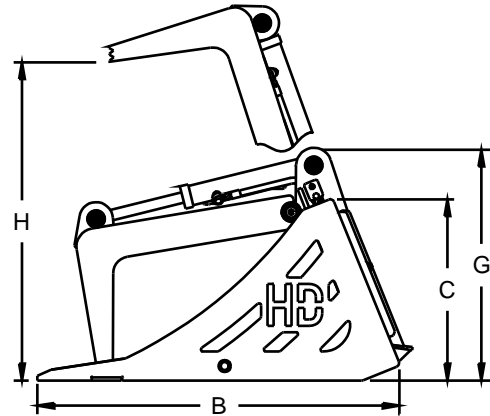
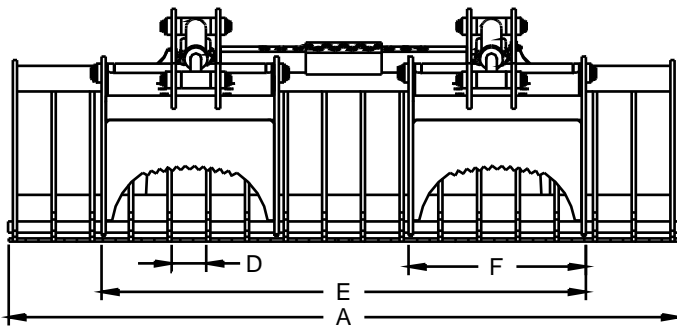


VIRNIG

Heavy Duty Skeleton Rock Grapple Specifications



MODEL	HSRGV72	HSRGV78	HSRGV84	HSRGV90
A) Overall Bucket Width (Inches)	73.5	79.5	85.5	91.5
B) Bucket Depth (Inches)	42.9			
C) Bucket Height (Inches)	21.5			
Number of Tines (With Sides)	17	18	20	21
D) Space Between Tines (Inches)	4.0	4.1	3.9	4.0
E) Overall Grapple Width (Inches)	57.4			
F) Independent Grapple Width (Inches)	21.0			
G) Height with Grapple Closed (Inches)	27.8			
H) Grapple Jaw Opening (Inches)	37.0			
Approximate Weight (Pounds)	1080	1115	1170	1205

- Recommended for loaders with operating capacities greater than 1800 pounds.
- 1/2" grade 80 gusseted plate bucket tines, 80,000 psi minimum yield strength.
- 1/2" grade 50 reinforced plate grapple jaw tines, 50,000 psi minimum yield strength.
- 2 cylinder independent grapple with 1 9/16" diameter hinge pins.
- 2" bore, 8 3/8" stroke cylinders with 1 1/4" rods and 1 1/4" cylinder pins.
- Hoses from grapple to loader and couplers are included.
- Optional Cylinder Guards available.
- Heavy Duty Skeleton Rock Bucket also available without grapple.

Specifications and designs are subject to change without notice.

Virnig Manufacturing Inc.
800-648-2408
www.virnigmfg.com