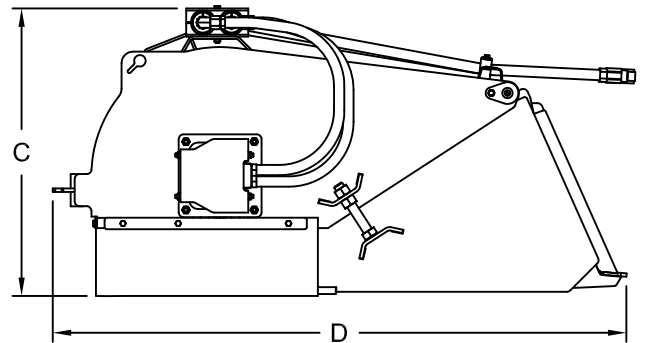
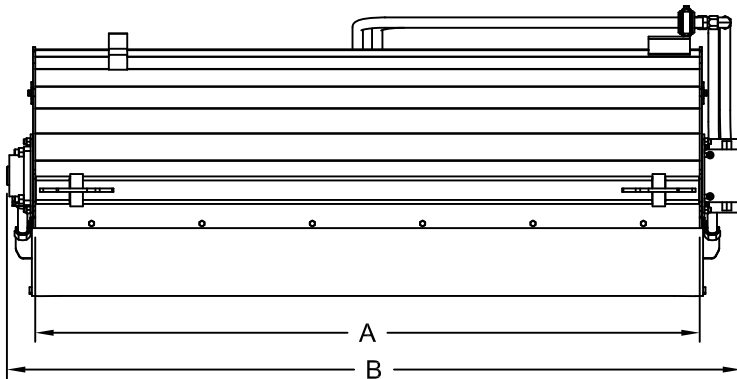


# VIRNIG

## Pick Up Broom Specifications



MODEL	PUB60	PUB72	PUB84
A) Sweeping Width (Inches)	60.0	72.0	84.0
B) Overall Width (Inches)	67.8	79.8	91.8
C) Overall Height (Inches)	31.3		
D) Overall Depth (Inches)	62.4		
Operating Flow Rate (GPM)	15 - 25		
Operating Pressure (PSI)	2000 - 3400		
Number of 26 inch Diameter Wafers	29	35	41
Cutting Edge (inches)	5/8 x 6 Bolt on		
Approximate Weight (Pounds)	990	1120	1250

FLOW RATE	SPEED (RPM)
16 GPM	154
18 GPM	173
20 GPM	192
22 GPM	212
24 GPM	231

Speeds are the same for all width brooms.

- Recommended for loaders with operating capacities greater than 1500 pounds.
- Hydraulic pressure relief valves on hydraulic motor.
- Can operate broom forward and reverse.
- Direct drive design with replaceable drive components.
- Designed for easy exchange of wafers, no disconnecting of hydraulic hoses required.
- Greaseable bearing and hinge pins.
- Hood frame adjusts for bristle wear.
- Standard bolt on edge, 5/8" x 6" reversible.
- Standard 26" diameter poly/wire brush wafer pack, all poly or all wire wafer packs available.
- Optional Gutter Brush available.
- Hoses from broom to loader and couplers are included.

Specifications and designs are subject to change without notice.

Virnig Manufacturing Inc.  
800-648-2408  
www.virnigmfg.com